

PRESSURE VESSELS



Horizontal and vertical expansion vessels for drinking water.

- WRAS Approved
- Can be used on any pump
- Pressure rating: 10 bar
- Some 16 bar available
- Max. temperature: 90 °C

The water chamber comprises of a liner in virgin polypropylene and diaphragm made from FDA approved butyl. The liner is held against the wall of vessel, close to the water connection, using a steel clench ring. At the opposite end, the diaphragm portion is designed to expand into the air compartment. Both the liner and the diaphragm are reinforced in specific wear areas for longer life. Internal parts, including the air connection, are rounded to prevent piercing of the diaphragm in extreme conditions.

The exterior is manufactured from carbon steel with a two-part polyurethane paint finish over an epoxy undercoating for corrosion protection. The water connection is stainless steel.

The vessels are charged at the factory to a pressure of 1.9 bar. For optimum performance the pre-charge pressure should be 0.1 bar below the pump switch-on pressure and this can be reduced or increased with compressed air using the the Schrader valve on the top or the end.

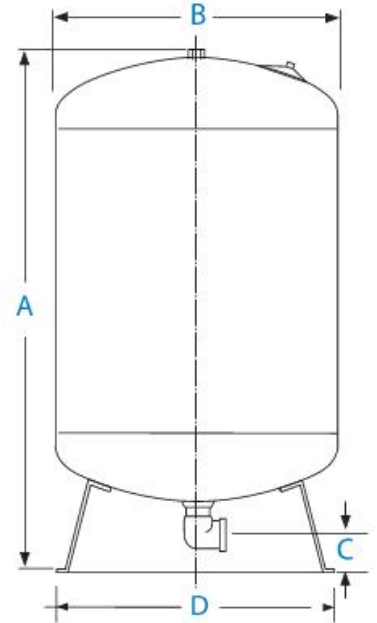
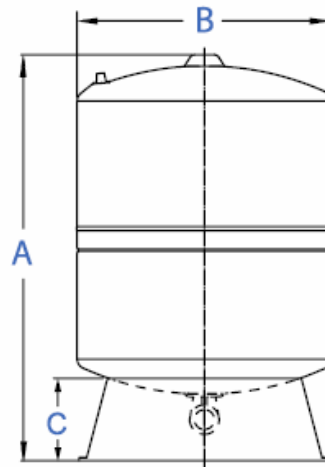
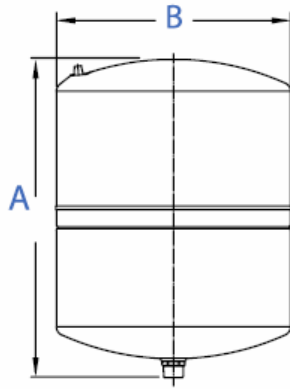
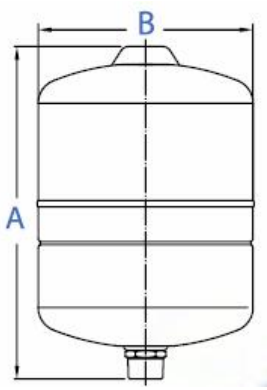
8, 12 and 24 litre vertical vessels are not free-standing and need to be supported on top of a pump or pipework.

Vertical 8 litres

Vertical 12, 18, 24 litres

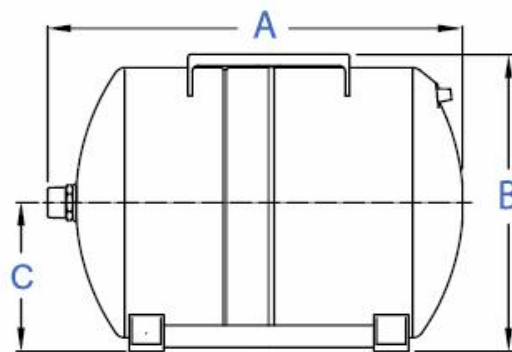
Vertical 60, 80, 100 litres

Vertical 200, 300, 450 litres



Capacity Litres	Dimensions (mm)				Weight kg
	A	B	C	S ϕ	
8	313	202	-	1"	2.4
12	367	230	-	1"	3.1
18	367	279	-	1"	4.1
24	447	290	-	1"	5.0
60	620	389	127	1"	11.8
80	815	389	127	1"	16.2
100	804	430	129	1"	19.1
200	1041	534	570	1 1/4"	38.1
300	1510	534	570	1 1/4"	52.9
450	1539	660	570	1 1/4"	80.8

Horizontal vessels



Capacity Litres	Dimensions (mm)				Weight kg
	A	B	C	S ϕ	
24	447	321	161	1"	5.9
60	530	424	215	1"	11.4
80	726	424	215	1"	16.1
100	720	475	245	1"	19.2