

SWS - SWT

CENTRIFUGAL SELF-PRIMING ELECTRIC PUMPS FOR POOLS

Centrifugal self-priming electric pumps for pools.

APPLICATIONS

- Filtration systems for private and public pools

TECHNICAL DETAILS

- Large-size incorporated pre-filter
- Motor entirely isolated from the water
- Transparent pre-filter cover for easy inspection and maintenance
- Easy installation

PUMP TECHNICAL DATA

- Maximum temperature of the liquid: +40°C
- Maximum ambient temperature: +40 °C
- Pumped liquid: clean or slightly dirty water, water containing chlorine or additives for pools
- Connections for SWS (2 alternatives):
 - Female thread 1"½
 - Connection for Ø50mm PVC pipe to be glued on
- Connections for SWT: female thread 2"

MOTOR TECHNICAL DATA

- Self-ventilated 2-pole asynchronous motor
- Class F insulation
- Single phase voltage 230V 50Hz, three phase voltage 230/400V 50Hz (SWT only)

MATERIALS

- Pump body, seal holding disc and diffuser made of polypropylene reinforced with fibreglass and resistant to chemical substances
- Noryl impeller
- Graphite/ceramic mechanical seal
- AISI 316 shaft
- Transparent polycarbonate pre-filter cover
- Aluminium base
- AISI 304 screws

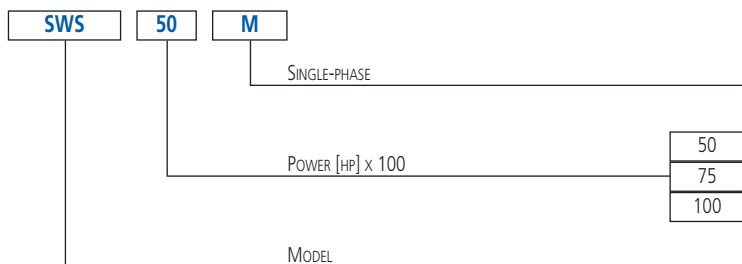


SWS

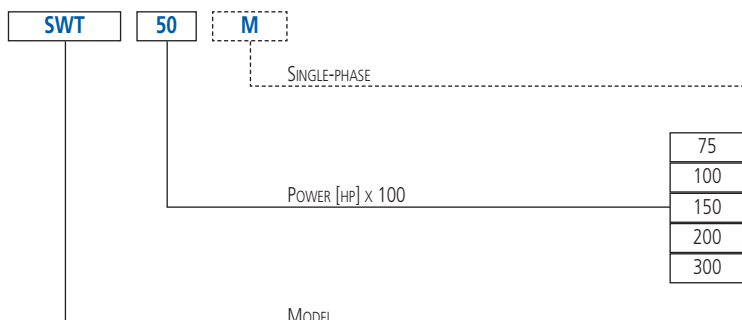


SWT

SWS IDENTIFICATION CODE



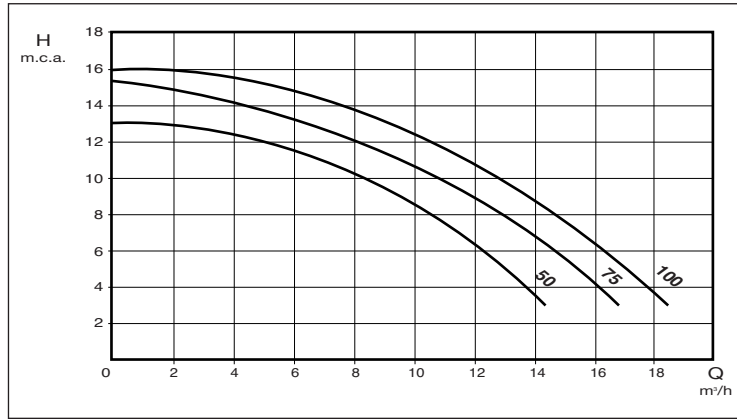
SWT IDENTIFICATION CODE



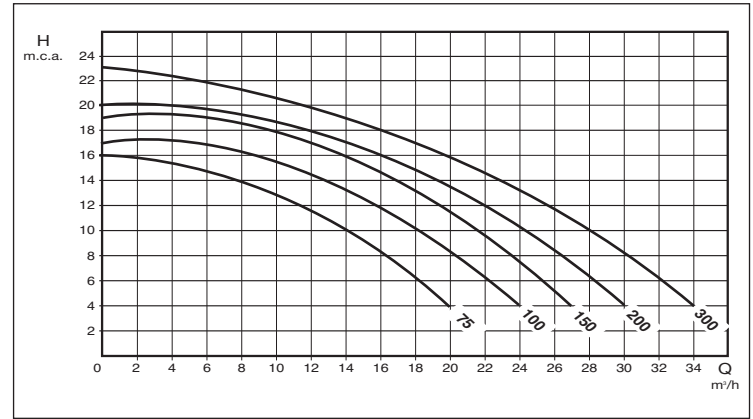
SWS - SWT

CENTRIFUGAL SELF-PRIMING ELECTRIC PUMPS FOR POOLS

SWS PERFORMANCE CURVES (according to ISO 9906 Annex A)



SWT PERFORMANCE CURVES (according to ISO 9906 Annex A)



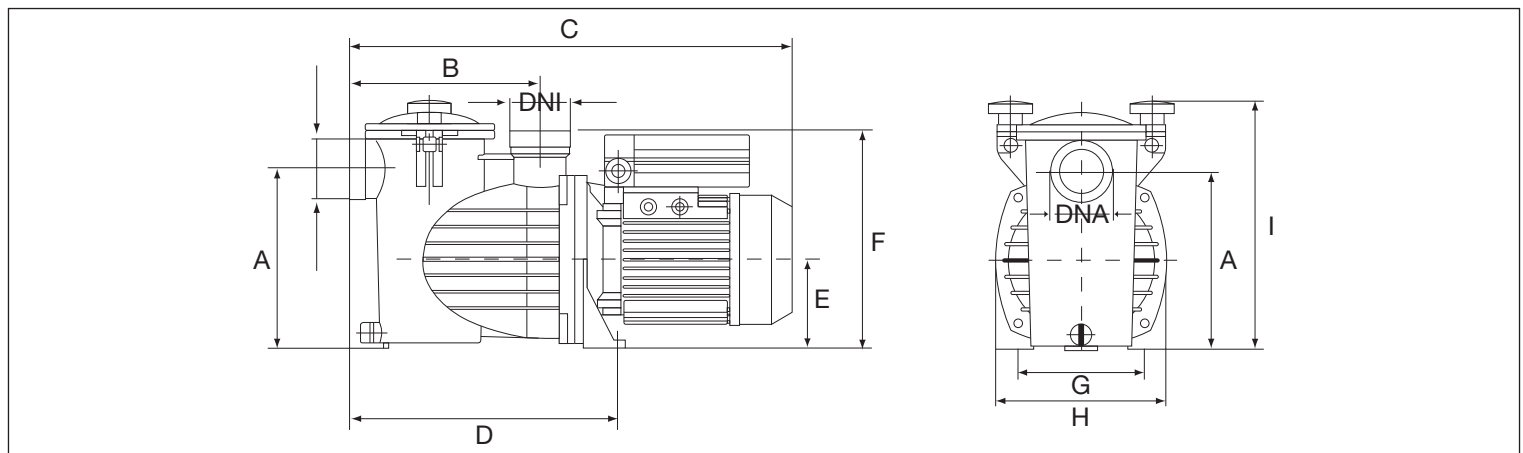
SWS PERFORMANCE TABLE

| Model Single phase 230V | P ₂ | | H=Head [m] | | | | | | | | | |
|-------------------------------|----------------|------|------------|------|------|------|------|------|-----|-----|-----|---|
| | [HP] | [kW] | 4 | 6 | 8 | 10 | 11 | 12 | 13 | 14 | 15 | |
| Q=Flow rate [m³/h] | | | | | | | | | | | | |
| SWS 50 M | 0,5 | 0,33 | 14,0 | 12,0 | 10,0 | 7,0 | 6,5 | 5,0 | - | - | - | - |
| SWS 75 M | 0,75 | 0,55 | 16,0 | 15,0 | 12,5 | 10,0 | 9,3 | 8,0 | 6,6 | 4,2 | 2,0 | - |
| SWS 100 M | 1 | 0,75 | 18,0 | 16,0 | 15,3 | 13,0 | 12,1 | 10,5 | 9,7 | 7,6 | 6,0 | - |

SWT PERFORMANCE TABLE

| Model Single phase 230V | Model Three phase 230/400V | P ₂ | | H=Head [m] | | | | | | | | | |
|-------------------------------|----------------------------------|----------------|------|------------|------|------|------|------|------|------|------|------|---|
| | | [HP] | [kW] | 4 | 6 | 8 | 10 | 12 | 14 | 16 | 18 | 20 | |
| Q=Flow rate [m³/h] | | | | | | | | | | | | | |
| SWT 75 M | SWT 75 | 0,75 | 0,55 | 19,5 | 18,0 | 15,7 | 13,5 | 10,8 | 7,9 | - | - | - | - |
| SWT 100 M | SWT 100 | 1 | 0,75 | 23,2 | 21,1 | 19,7 | 18,0 | 15,0 | 12,3 | 8,7 | - | - | - |
| SWT 150 M | SWT 150 | 1,5 | 1,1 | 27,0 | 25,0 | 23,0 | 21,0 | 19,0 | 17,0 | 14,0 | 10,0 | - | - |
| SWT 200 M | SWT 200 | 2 | 1,5 | 30,0 | 28,0 | 26,0 | 24,0 | 21,0 | 18,0 | 14,0 | 12,0 | - | - |
| SWT 300 M | SWT 300 | 3 | 2,2 | 34,0 | 32,0 | 30,0 | 29,0 | 27,0 | 23,0 | 20,0 | 15,0 | 12,0 | - |

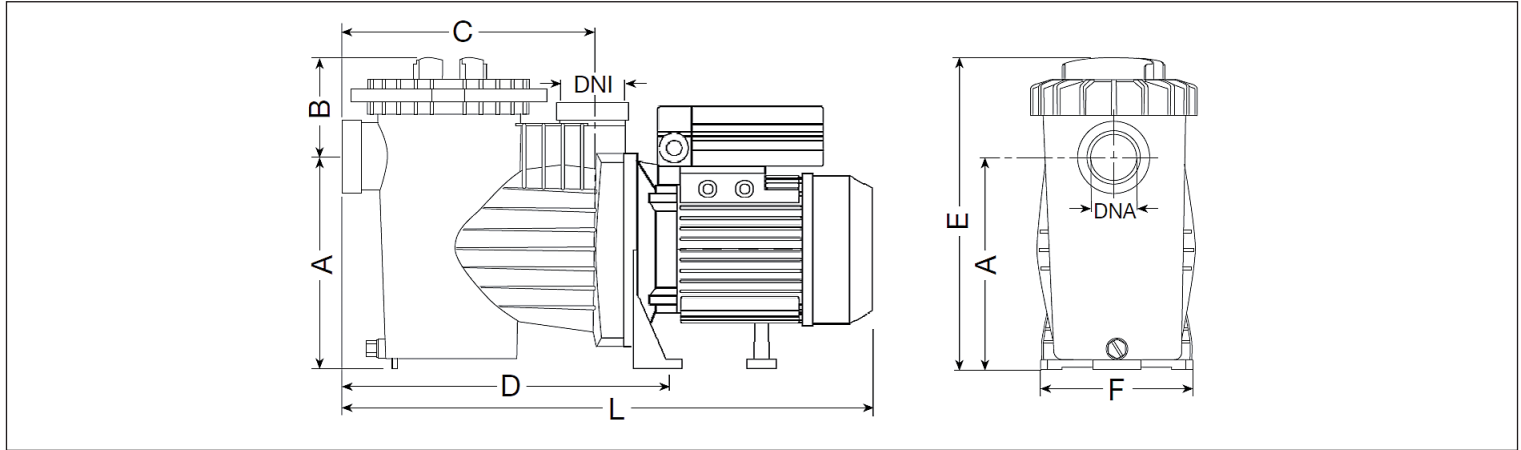
SWS DIMENSIONS



SWS DIMENSIONAL TABLE

| Model | Dimensions [mm] | | | | | | | | | | Weight [kg] |
|-----------|-----------------|-----|-----|-----|----|-----|-----|-----|-----|------------|-------------|
| | A | B | C | D | E | F | G | H | I | DNA DNI | |
| SWS 50 M | 191 | 205 | 470 | 285 | 95 | 233 | 140 | 180 | 265 | 1"½ | 11,0 |
| SWS 75 M | 191 | 205 | 470 | 285 | 95 | 233 | 140 | 180 | 265 | 1"½ | 12,6 |
| SWS 100 M | 191 | 205 | 470 | 285 | 95 | 233 | 140 | 180 | 265 | 1"½ | 12,6 |

SWT DIMENSIONS



SWT DIMENSIONAL TABLE

| Model | Dimensions [mm] | | | | | | DNA DNI | Weight [kg] | |
|-----------|-----------------|-----|-----|-----|-----|-----|------------|----------------|------|
| | A | B | C | D | E | F | | | |
| SWT 75 M | 216 | 109 | 265 | 370 | 325 | 206 | 550 | 2" | 13,0 |
| SWT 75 | 216 | 109 | 265 | 370 | 325 | 206 | 550 | 2" | 12,5 |
| SWT 100 M | 216 | 109 | 265 | 370 | 325 | 206 | 550 | 2" | 14,0 |
| SWT 100 | 216 | 109 | 265 | 370 | 325 | 206 | 550 | 2" | 14,0 |
| SWT 150 M | 216 | 109 | 265 | 370 | 325 | 206 | 580 | 2" | 17,0 |
| SWT 150 | 216 | 109 | 265 | 370 | 325 | 206 | 580 | 2" | 15,5 |
| SWT 200 M | 216 | 109 | 265 | 370 | 325 | 206 | 650 | 2" | 18,5 |
| SWT 200 | 216 | 109 | 265 | 370 | 325 | 206 | 575 | 2" | 17,0 |
| SWT 300 M | 216 | 109 | 265 | 370 | 325 | 206 | 650 | 2" | 22,0 |
| SWT 300 | 216 | 109 | 265 | 370 | 325 | 206 | 650 | 2" | 19,0 |

ELECTRIC DATA TABLE

| Model | | P ₂ | | Efficiency | | Capacitor Single phase | | Absorbed current [A] | | |
|----------------------|-------------------------|----------------|------|--------------|-------------|---------------------------|----------------|-------------------------|---------------------|---------------------|
| Single phase 230V | Three phase 230/400V | [HP] | [kW] | Single phase | Three phase | μF | V _c | Single phase 230V | Three phase 230V | Three phase 400V |
| SWWS 50 M | - | 0,5 | 0,33 | - | - | 14 | 450 | 3,5 | - | - |
| SWWS 75 M | - | 0,75 | 0,55 | - | - | 16 | 450 | 4,3 | - | - |
| SWWS 100 M | - | 1 | 0,75 | - | IE2 | 20 | 450 | 5,5 | - | - |
| SWT 75 M | SWT 75 | 0,75 | 0,55 | - | - | 16 | 450 | 4,75 | 3,1 | 1,8 |
| SWT 100 M | SWT 100 | 1 | 0,75 | - | IE2 | 20 | 450 | 5,5 | 3,8 | 2,2 |
| SWT 150 M | SWT 150 | 1,5 | 1,1 | - | IE2 | 31,5 | 450 | 7,3 | 5,0 | 2,9 |
| SWT 200 M | SWT 200 | 2 | 1,5 | - | IE2 | 31,5 | 450 | 9,2 | 6,0 | 3,5 |
| SWT 300 M | SWT 300 | 3 | 2,2 | - | IE2 | 40 | 450 | 12,2 | 8,6 | 5,0 |